

# E311

## Low consumption IP emergency telephone systems: Line controller

### Product specifications

This low consumption IP emergency telephone system is composed by the equipments E311 and E321.

E311 is the interface between the equipments network E321 and the Ethernet network. With this unit, the E321 modules can be seen from the control center as continuously connected to the Ethernet network.

Each E311 unit can communicate with up to 50 E321 modules.

Its two optical ports allow a redundant ring configuration, with a fault tolerance of one E321 unit or a link between two of them.

This ring can be locally configured with just one E311, or remotely with two. In this case the ring is closed through the Ethernet network.

The configuration of this unit and the E321 connected to it can be done via Telnet or with the integrated web server.



IP line controller of E321 emergency telephones module

It can control up to 50 E321 modules

Double optical port for connection in a local or remote redundant ring.

Easy configuration via Telnet or Web

Format 19" 2U height housing

DESICO Vigiplus Software Compliant



Emergency roadside telephones (SOS call box)

**Specifications:**

**Optical interface**

Optical emitter	Laser
Optical receiver	PIN
Wavelength:	
M Port	1.310 nm
E Port	1.550 nm
Type of fiber	Singlemode (9/125 µm)
Emitted optical power	≥ -3,5 dBm
Receiver sensitivity	≤ -18 dBm
Optical connector	ST

**Power parameters**

Input voltage	110V - 220V, 50 - 60 Hz
---------------	-------------------------

**Format and dimensions**

Format	Box for 19" 2U height housing
Dimensions	482 x 88 x 264 mm

**Operating environmental conditions**

Temperature	-10 °C ~ 50 °C
Humidity	0% ~ 95% (without condensing)

**Indicators**

Indicators	Denomination	Colour
Functioning	ON	Green
Unit in operation	RUNNING	Green
Link via M port	M-LINK	Green
Data via M port	M-DATA	Green
Link via E port	E-LINK	Green
Data via E port	E-DATA	Green
Command from control center	COMMAND	Green
Configuring	CONFIG	Amber
Error in the ring	LINK ERR	Red
System error	SYS ERR	Red

**Ordering information:**

Code	Version
E311	Two optical ports low consumption IP telephone system line controller

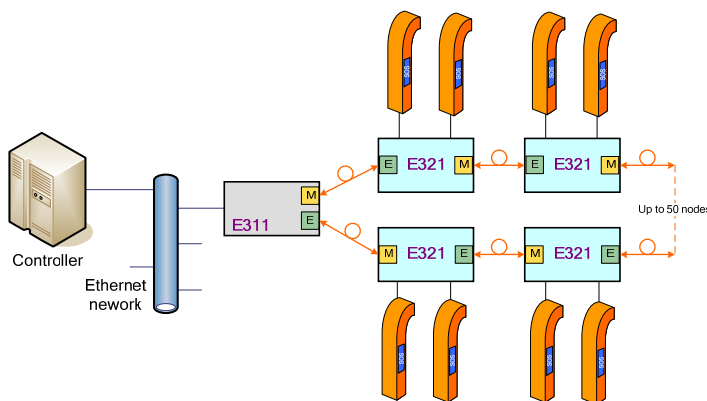
**Associated equipment:**

Model	Description
E321	Module for low consumption IP emergency telephone system

**Optical budget and maximum link distances:**

Link	Optical budget	Distance <sup>(1)</sup>	Link conditions
E311-E321	14,5 dB	20 km	Singlemode fiber (9/125 µm), wavelength = 1.310 nm

**Sample application:**



**Notes:**

(1) Maximum link distances are calculated for typical values of the fiber already installed. For special cases exceeding the given values, please consult the manufacturer.

The specifications can be modified without prior notification as a result of the continuous improvement process of our systems